



Is This Shroud Listed?

Shrouds on chimney chase tops have been a headache for sweeps since the 1970s. Today the ICC building codes and NFPA 211 as well as the Uniform Mechanical Code and the National Fuel Gas Code all say shrouds should be "listed". The ICC Fire Code (2000, 2003 and 2006 editions) in section 603.6.3 even says that if the shrouds are not listed they should be removed.

603.6.3 Decorative Shrouds. Decorative shrouds installed at the termination of factory built chimneys shall be removed except where such shrouds are listed and labeled for use with the specific factory built chimney and are installed in accordance with the chimney manufacturer's installation instructions.

The ICC Fire Code applies to just about any building covered by the ICC Building Code.

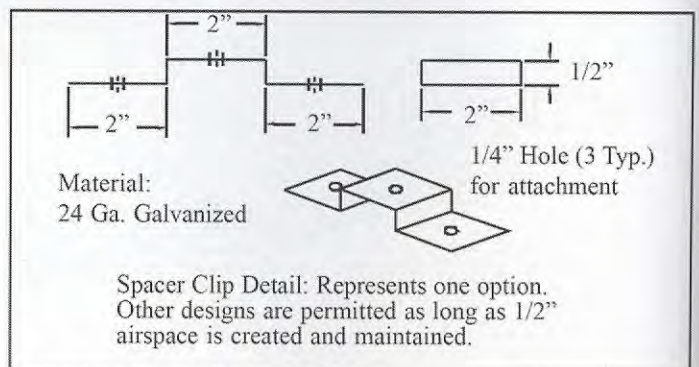
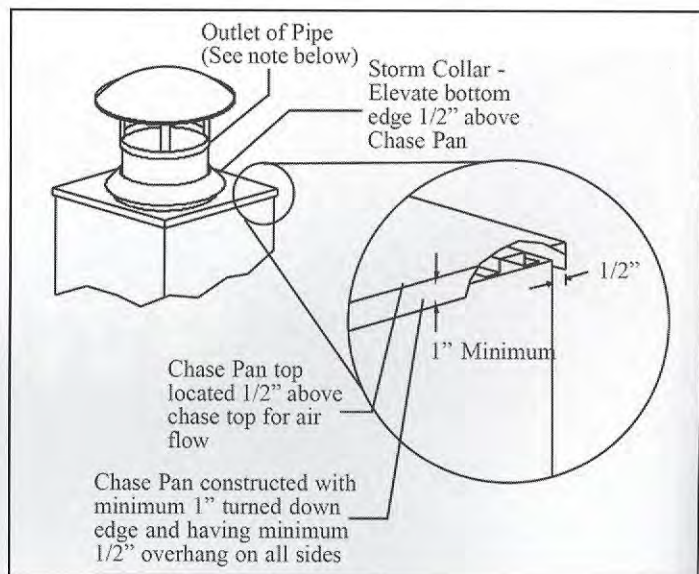
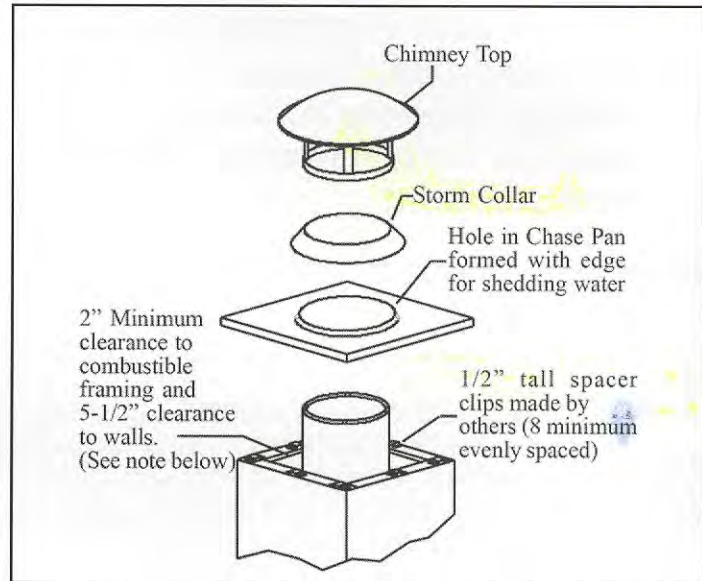
These codes are not typically applied retroactively unless a case can be made that not making changes creates a fire or other danger to life, limb or property. In many sections of the country there is a long history of fires involving chimney shrouds. The local fire service could be a resource to verify the local fire experience with chimney shrouds.

So how do you know if the shroud is listed?

For the past few years at least one company, Chimney King, has manufactured shrouds that were UL listed in a "general" sense. Recently a few factory built chimney manufacturers, led by Selkirk Metalbestos, in conjunction with UL, have developed new guidelines for listed shrouds "specifically" for each of their factory built chimneys. Shrouds made to these guidelines can have the UL label attached. Chimney King recently donated a copper shroud to CSIA that is listed for use with a Selkirk Metalbestos chimney. It was displayed at the recent Reno trade show in the Selkirk Metalbestos booth. Perhaps you saw it as you entered the trade show.

Complete shroud guidelines and instructions for their use with Metalbestos chimneys can be found on the Selkirk website (www.selkirkcorp.com) by searching the site for: shroud.

Select "Custom Top Shroud" from the list of results.



Here are some requirements that may be unexpected: Selkirk Metalbestos discovered that in order for their shrouds to be installed, the chase top cover or pan must be ventilated. The horizontal metal pan must be turned down at least 1 inch and must be at least 1/2 inch above the chimney chase and must extend 1/2 inch beyond the chase walls. This allows air flow and reduces heat build up inside the chase top area. If you see shrouds around a Metalbestos chimney and the chase pan top is not ventilated you can pretty well figure these shrouds are not listed.

All shrouds must be constructed of stainless steel, aluminized steel, or copper.
Note: UL does not permit listed shrouds to be made of galvanized steel.

In all instances a minimum of 6 inches of chimney must extend above the chase cover before attaching the termination cap to the chimney.

The clearance to combustible framing must be at least 2 inches while the clearance to chase walls must be at least 5/8 inches. This means if 2x4 framing members are used on their short side, there may not be the required 5/8 inches clearance to the walls.

To determine the appropriate height, length and width of the shroud, decide if the shroud is mailbox, house or pyramid style and continue with that information diagram. Then select the chimney diameter to be used and read horizontally to the right to find the desired information regarding the required height, width and length.

The bottom line is, moving forward we now have some requirements for listed shrouds that are brand specific and we can expect most, if not all manufacturers, will soon provide similar information for their chimneys. Gradually the sweep will have increased means to evaluate and install shrouds on chimney chase tops.



The Wohler Viper System Is Everything You Need In Cleaning.

The Wohler Viper System is a uniquely designed line of various sized rods for professional use when sweeping chimneys, ventilation systems, duct work or stoves. The VIPER rods are made of a central fiberglass core with plastic, protective cover. From our thickest 11mm XL VIPER to our most flexible 4.5mm Mini VIPER, there is a wide selection of threaded or Star brushes that you can use for the respective cleaning. The continuous rod design housed in either a free standing or hand held rotating basket provides easy operation that saves you time, effort and money.

- Fast and easy operation
- Adjustable brake
- Light weight
- Save time and money



Want to take a closer look?

Visit your local wholesaler or call Wohler USA to locate a wholesaler near you.

WÖHLER

The Measure of Technology

Wohler USA Inc.

20 Locust Street, Suite 205

Danvers, MA 01923

Phone: 978 750 9876 · Fax: 978 750 9799

www.wohlerusa.com