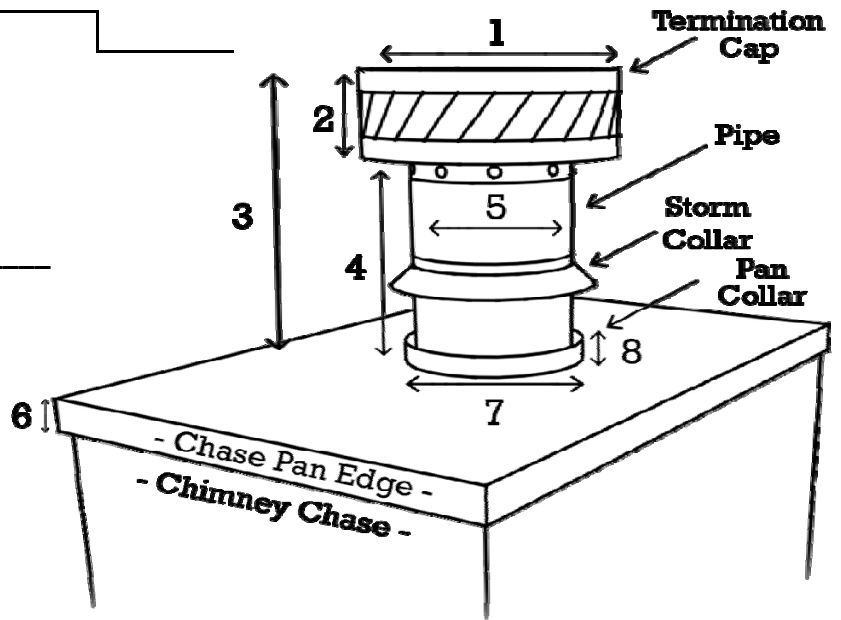


Chase Top Pipe & Pan Info

- 1) Cap Diameter: _____
 - 2) Cap Thickness: _____
 - 3) Height from Chase Top to top of Cap: _____
 - 4) Height from Chase Top to bottom of Cap: _____
 - 5) Pipe Outside Diameter: _____
- Existing / Proposed Pan Specs:
- 6) Edge HT: _____
 - 7) Collar Dia: _____
 - 8) Collar Ht: _____

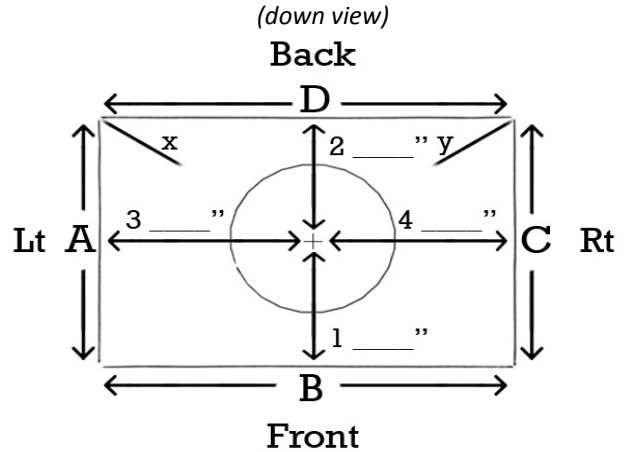


- 9) Chimney Pipe: Brand: _____ Model #: _____ OD: _____ ID: _____
- 10) Term Cap: Brand: _____ Model #: _____

Chase Top / Pan Sizing

11) A, B, C, D Top Dimensions of Chase and or Pan

- | | | |
|------------|--------------|------------|
| A - Front: | Chase: _____ | Pan: _____ |
| B - Right: | Chase: _____ | Pan: _____ |
| C - Back: | Chase: _____ | Pan: _____ |
| D - Left: | Chase: _____ | Pan: _____ |



12) Diagonals of Chase _____ or Pan _____: X: _____ Y: _____

13) Pipe CL to edge of: Chase: _____ or Pan: _____

- 1: _____ 2: _____ 3: _____ 4: _____

General Info

- 14) Chase Type: Framed _____ 100% Masonry _____ Siding _____ Brick _____ Stone _____ Stucco _____
- 15) Flue Type: Metal Pipe _____ Clay Tiles _____
- 16) Chase Top: Metal Pan _____ Concrete Cap _____
- 17) Chase Pan: Ventilated _____ Tight to Chase _____

FYI
 * Chimney Pipe may require ventilated pan
 * Bottom of term cap may be required to be a certain height above pan
 * Storm Collar on pipe may be required