



SINGLE PIPE CHASE Pipe Locator & ID Form

PL-1

For Chase Pans, Chimney Crowns and Cornice Pans

Customer: _____ Contact: _____ Est/ Inv # _____

Fax: _____ Email: _____ Phone: _____

Existing Chimney Specs

Measure from Chase Edge to Center Line of Pipe

Edge to Edge Edge to Pipe Center Line

Chase Top

Pipe 1

A _____

1 _____

B _____

2 _____

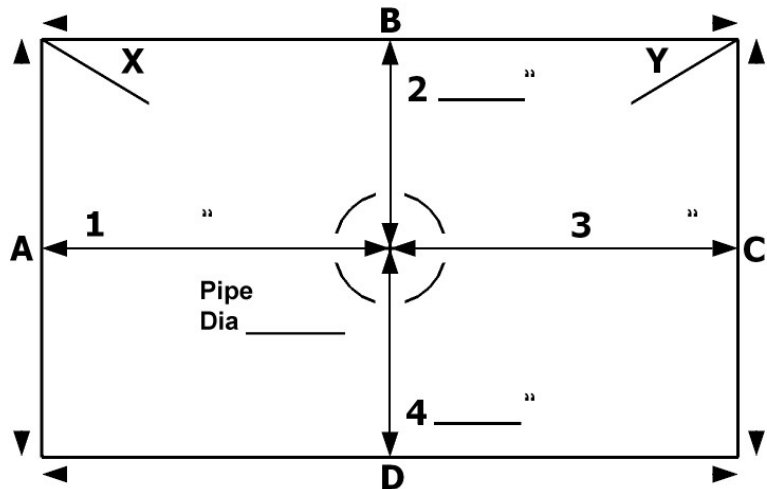
C _____

3 _____

D _____

4 _____

Diagonals: X _____ Y _____



Pipe Specs

Brand: _____ Model #: _____ O.D. ____ I.D. ____ Term Cap Model # _____

Chase Pan Specs

Measure from Pipe Center Line to Pan Edge

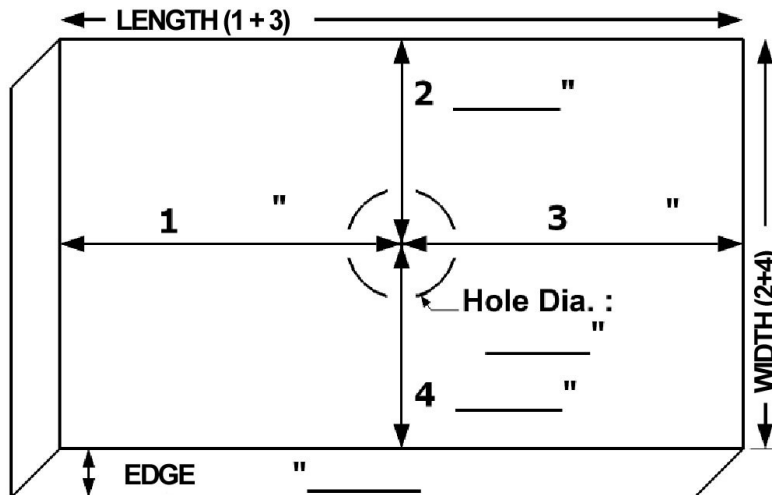
Length _____

Width _____

Hole Dia _____

Collar Ht _____

Edge _____



1 ____ + 3 ____ = L ____

2 ____ + 4 ____ = W ____

Material _____

As the only original equipment manufacturer of custom chimney shrouds that are listed and labeled for safe use by Underwriters Laboratories, CHIMNEY KING, LLC submits this detailed drawing for the buyers approval. This drawing contains proprietary information and design specifications which are the sole intellectual property of CHIMNEY KING, LLC. It's use for any other purpose is strictly prohibited.

Approved As Shown

Approved With Corrections

Approved By: _____

Date: _____

[Cross Break and Drip Edge Standard]

Hole diameter to be _____" Larger than Pipe Outside Diameter.

Pan to exceed chase by _____" per side.

Chase Pan to be Ventilated Y N

if Yes, Top Vent Spacers to be _____" Side Vent Spacers to be _____"



SINGLE PIPE CHASE

Pipe Identification & Locator Form

For Chase Pans, Chimney Crowns and Cornice Pans

PL-1

Customer: _____ Contact: _____ Est/ Inv # _____

Fax: _____ Email: _____ Phone: _____

Pipe Specs

Pipe 1) Brand: _____ Model # _____ O.D. _____ I.D. _____ Term Cap Model # _____

Existing Chimney Specs

Measure from Chase Edge to Center Line of Pipe

Edge to Edge Edge to Pipe Center Line

Chase Top

Pipe 1

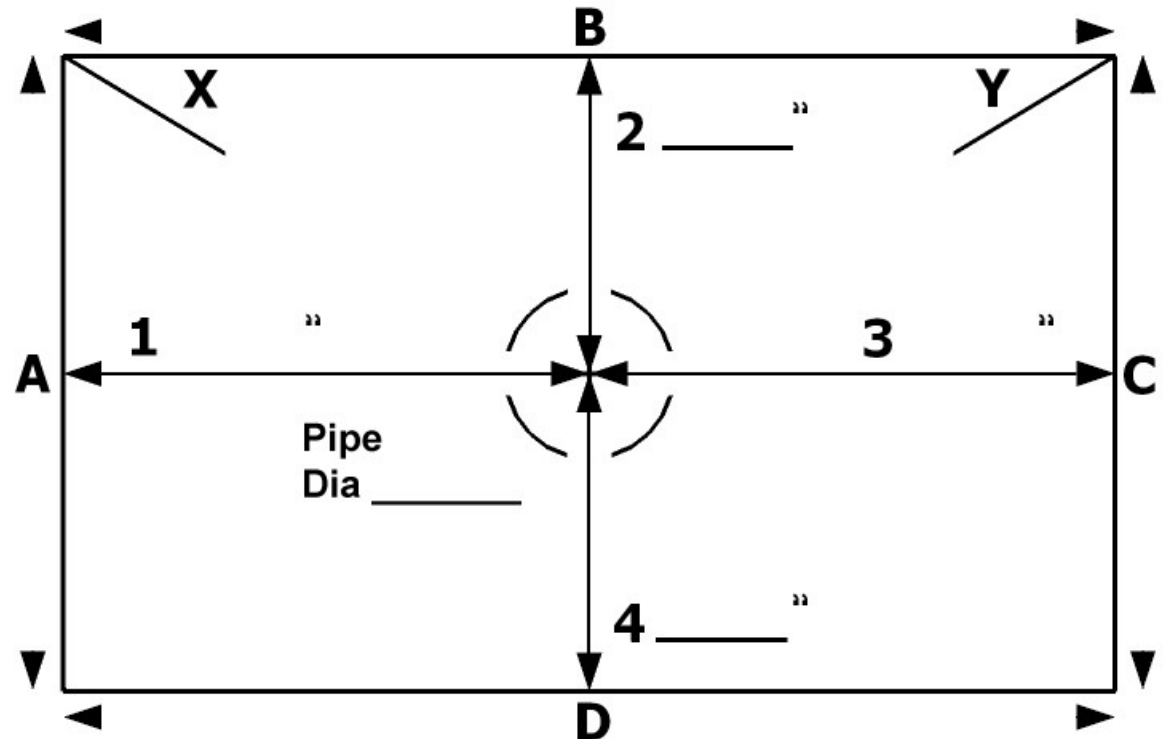
A _____ 1 _____

B _____ 2 _____

C _____ 3 _____

D _____ 4 _____

Diagonals: X _____ Y _____



CHIMNEY KING, LLC.
 PO Box 8, Gurnee IL 60031 Call (847) 244-8860 Fax (847) 244-8694
 sales@chimneyking.com www.chimneyking.com



PO Box 8
Gurnee Illinois 60031
57 Noll St
Waukegan Illinois 60085

SINGLE PIPE CHASE PAN

Chase Pan Layout Form

For Chase Pans and Cornice Pans

Phone (847) 244-8860
Fax (847) 244-8694
sales@chimneyking.com
www.chimneyking.com

PL-1

Customer: _____ Contact: _____ Est/ Inv # _____

Fax: _____ Email: _____ Phone: _____

Chase Pan Specs

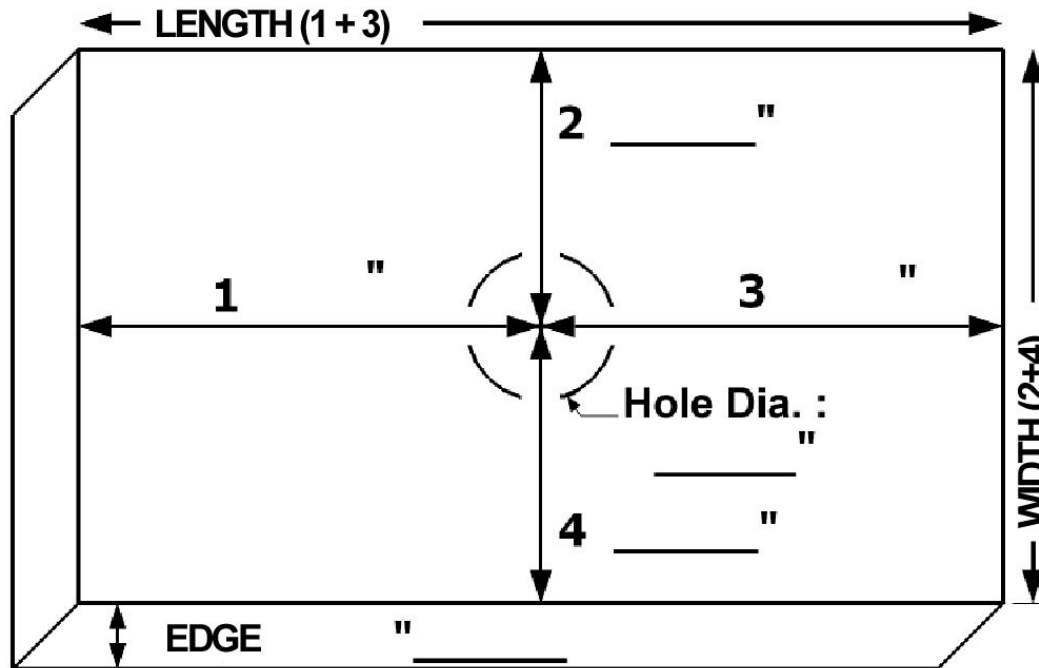
Length _____

Width _____

Hole Dia _____

Collar Ht _____

Edge _____



Measure from Pipe Center Line to Pan Edge

Pipe 1:

1 ___ + 3 ___ = L ___

2 ___ + 4 ___ = W ___

Material _____

[Cross Break and Drip Edge Standard]

Hole diameter to be _____" Larger than Pipe Outside Diameter.

Pan to exceed chase by _____" per side.

Chase Pan to be Ventilated Y N

if Yes, Top Vent Spacers to be _____" Side Vent Spacers to be _____"

As the only original equipment manufacturer of custom chimney shrouds that are listed and labeled for safe use by Underwriters Laboratories, CHIMNEY KING, LLC submits this detailed drawing for the buyers approval. This drawing contains proprietary information and design specifications which are the sole intellectual property of CHIMNEY KING, LLC. It's use for any other purpose is strictly prohibited.

Approved As Shown Approved With Corrections

Approved By: _____

Date: _____