

# DOUBLE PIPE CHASE

**PL-2**

## Pipe Locator & ID Form

For Chase Pans, Chimney Crowns and Cornice Pans

Customer: \_\_\_\_\_ Contact: \_\_\_\_\_ Est/ Inv # \_\_\_\_\_

Fax: \_\_\_\_\_ Email: \_\_\_\_\_ Phone: \_\_\_\_\_

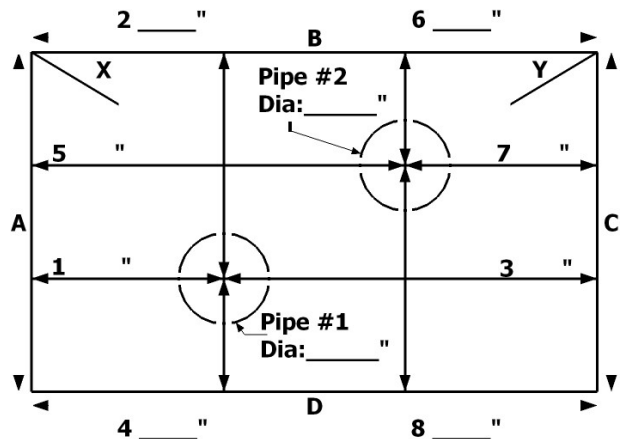
### Existing Chimney Specs

### Measurements from Chase Edge to Center Line of Pipe

Edge to Edge

Edge to Pipe Center Line

Chase Top	Pipe 1	Pipe 2
A _____	1 _____	5 _____
B _____	2 _____	6 _____
C _____	3 _____	7 _____
D _____	4 _____	8 _____
<b>Diagonals:</b>	X _____	Y _____



### Pipe Specs

Brand: \_\_\_\_\_ Model #: \_\_\_\_\_ O.D. \_\_\_\_ I.D. \_\_\_\_ Term Cap Model # \_\_\_\_\_

Brand: \_\_\_\_\_ Model #: \_\_\_\_\_ O.D. \_\_\_\_ I.D. \_\_\_\_ Term Cap Model # \_\_\_\_\_

### Chase Pan Specs

### Measure from Pipe Center Line to Pan Edge

Length \_\_\_\_\_

Width \_\_\_\_\_

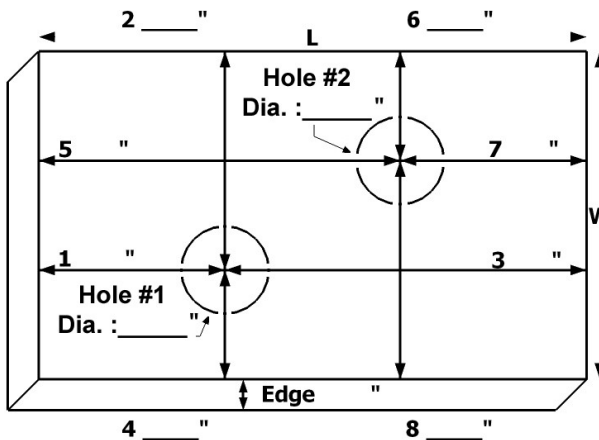
Hole 1 Dia \_\_\_\_\_

Collar 1 Ht \_\_\_\_\_

Hole 2 Dia \_\_\_\_\_

Collar 2 Ht \_\_\_\_\_

Edge \_\_\_\_\_



[Cross Break and Drip Edge Standard]

Hole diameter to be \_\_\_\_\_" Larger than Pipe O. D.

Pan to exceed chase by \_\_\_\_\_" per side.

Chase Pan to be Ventilated  Y  N

if Yes, Top Vent Spacers to be \_\_\_\_\_" Side Vent Spacers to be \_\_\_\_\_"

Pipe 1:

$$1 \text{ } + 3 \text{ } = L \text{ } \text{_____}$$

$$2 \text{ } + 4 \text{ } = W \text{ } \text{_____}$$

Pipe 2:

$$5 \text{ } + 7 \text{ } = L \text{ } \text{_____}$$

$$6 \text{ } + 8 \text{ } = W \text{ } \text{_____}$$

Material \_\_\_\_\_



# DOUBLE PIPE CHASE

## Pipe Identification & Locator Form

For Chase Pans, Chimney Crowns and Cornice Pans

Customer: \_\_\_\_\_ Contact: \_\_\_\_\_ Est/ Inv # \_\_\_\_\_

Fax: \_\_\_\_\_ Email: \_\_\_\_\_ Phone: \_\_\_\_\_

### Pipe Specs

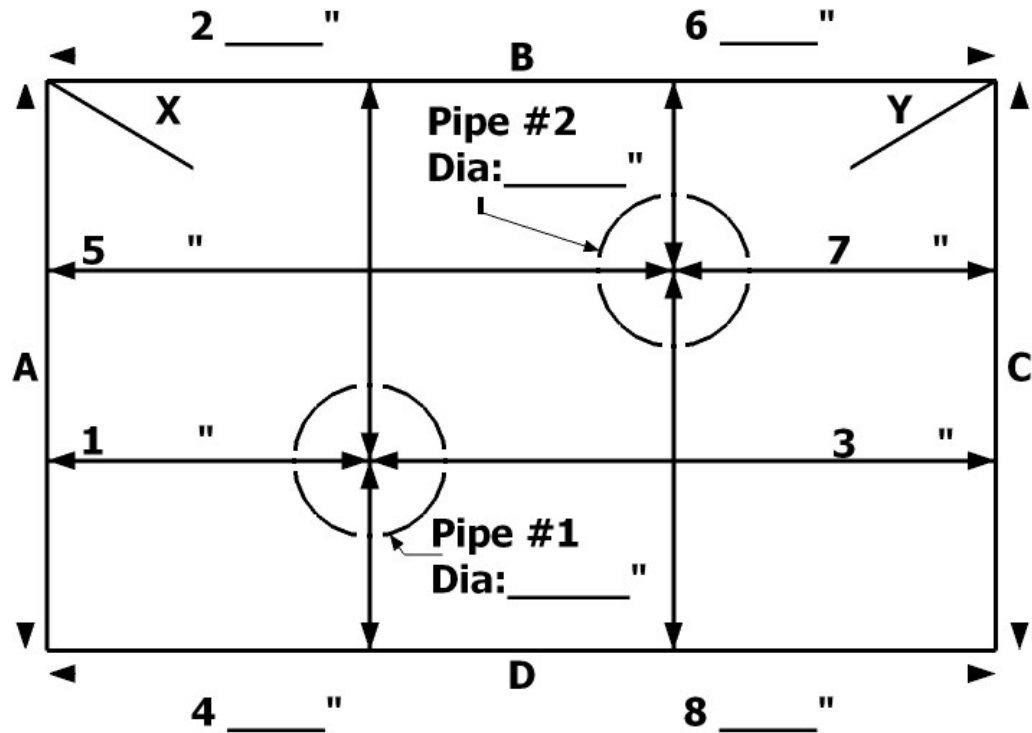
Pipe 1) Brand: \_\_\_\_\_ Model # \_\_\_\_\_ O.D. \_\_\_\_\_ I.D. \_\_\_\_\_ Term Cap Model # \_\_\_\_\_

Pipe 2) Brand: \_\_\_\_\_ Model # \_\_\_\_\_ O.D. \_\_\_\_\_ I.D. \_\_\_\_\_ Term Cap Model # \_\_\_\_\_

### Existing Chimney Specs

Edge to Edge	Edge to Pipe Center Line	
Chase Top	Pipe 1	Pipe 2
A _____	1 _____	5 _____
B _____	2 _____	6 _____
C _____	3 _____	7 _____
D _____	4 _____	8 _____
Diagonals	X _____	Y _____

Measure from Chase Edge to Center Line of Pipe



CHIMNEY KING, LLC.  
 PO Box 8, Gurnee IL 60031 Call (847) 244-8860 Fax (847) 244-8694  
 sales@chimneyking.com www.chimneyking.com



PO Box 8  
Gurnee Illinois 60031  
57 Noll St  
Waukegan Illinois 60085

# DOUBLE PIPE CHASE PAN

## Chase Pan Layout Form

### For Chase Pans and Cornice Pans

Phone (847) 244-8860  
Fax (847) 244-8694  
sales@chimneyking.com  
www.chimneyking.com

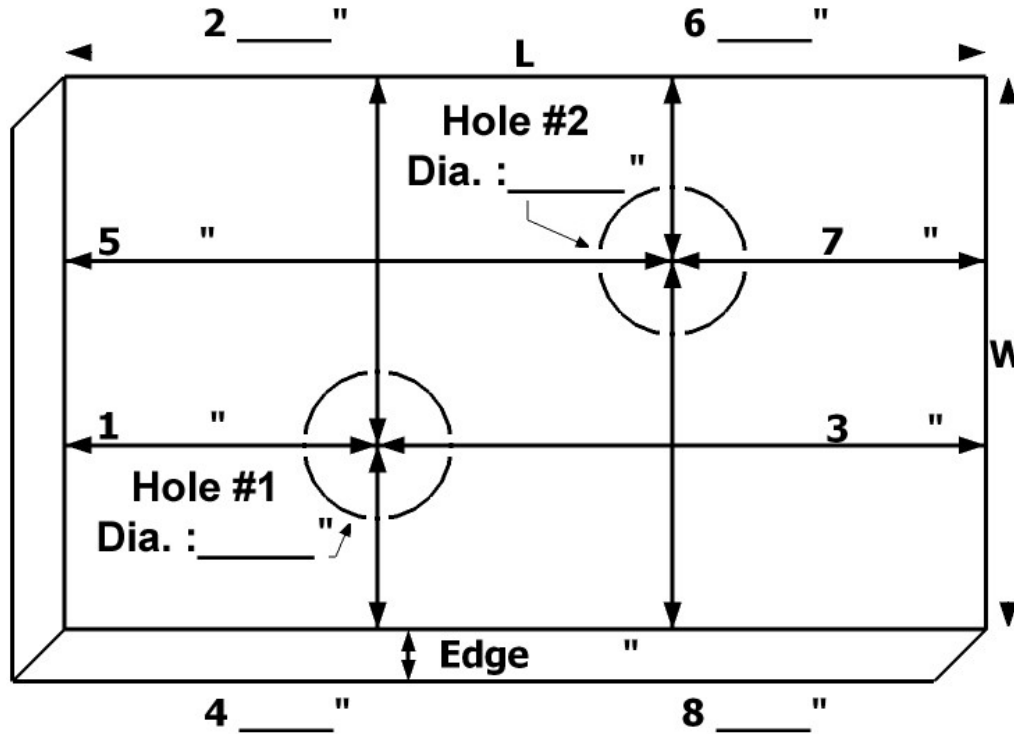
**PL-2**

Customer: \_\_\_\_\_ Contact: \_\_\_\_\_ Est/ Inv # \_\_\_\_\_

Fax: \_\_\_\_\_ Email: \_\_\_\_\_ Phone: \_\_\_\_\_

### Chase Pan Specs

Length \_\_\_\_\_  
Width \_\_\_\_\_  
Hole 1 Dia \_\_\_\_\_  
Collar 1 Ht \_\_\_\_\_  
Hole 2 Dia \_\_\_\_\_  
Collar 2 Ht \_\_\_\_\_  
Edge \_\_\_\_\_



### Measure from Pipe Center Line to Pan Edge

Pipe 1:

$$1 \text{ ___} + 3 \text{ ___} = L \text{ ___}$$

$$2 \text{ ___} + 4 \text{ ___} = W \text{ ___}$$

Pipe 2:

$$5 \text{ ___} + 7 \text{ ___} = L \text{ ___}$$

$$6 \text{ ___} + 8 \text{ ___} = W \text{ ___}$$

Material \_\_\_\_\_

### [Cross Break and Drip Edge Standard]

Hole diameter to be \_\_\_\_\_" Larger than Pipe Outside Diameter.

Pan to exceed chase by \_\_\_\_\_" per side.

Chase Pan to be Ventilated  Y  N

if Yes, Top Vent Spacers to be \_\_\_\_\_" Side Vent Spacers to be \_\_\_\_\_"

As the only original equipment manufacturer of custom chimney shrouds that are listed and labeled for safe use by Underwriters Laboratories, CHIMNEY KING, LLC submits this detailed drawing for the buyers approval. This drawing contains proprietary information and design specifications which are the sole intellectual property of CHIMNEY KING, LLC. It's use for any other purpose is strictly prohibited.

Approved As Shown  Approved With Corrections

Approved By: \_\_\_\_\_

Date: \_\_\_\_\_